

AF CB CP CS CV HD HS R SL WE XE XL

SPECIFICATIONS (See notes 1 and 2)

Loudspeaker Type: 2-way, Full-range, bass ported

Operating Range: 50 Hz - 18 kHz
 50 Hz - 18 kHz (+/-5dB)

Max Input (Passive):

 400W continuous, 1000W Program
 40 volts RMS, 89 volts momentary peak

Recommended Power Amplifier:

830W to 1200W @ 4 Ohms

Max Inputs (Biamp):

 LF: (Same as for Passive mode)
 Recommended LF Power Amp: (Same as for Passive mode)
 HF: 50W continuous, 125W program
 20 volts RMS, 45 volts momentary peak
 Recommended HF Power Amp: 100W to 150W @ 8 Ohms

Sensitivity 1W/1m:

 98 dB SPL (50 Hz - 16 kHz 1/3 octave bands)
 98 dB SPL (250 Hz - 4 kHz speech range)

Maximum Output: 124 dB SPL / 131 dB SPL (peak)

Nominal Impedance (passive): 4 Ohms

Min Impedance: 3.2 Ohms @ 145 Hz

Nominal Impedances (Biamp): LF: 4 Ohms, HF: 8 Ohms

Nominal -6 dB Beamwidth:

 80° H (+0° / -39°, 2 kHz - 10 kHz)
 35° V (+1° / -19°, 2 kHz - 10 kHz)

Axial Q / DI: 26.1 / 14.2, 2 kHz - 10 kHz

Crossover Frequency: 1.8 kHz

Recommended Signal Processing: 40 Hz high pass filter

Drivers:

 LF (2) 15", Ferrofluid-cooled
 HF (1) 1" exit, titanium diaphragm

Driver Protection: PowerSense™ DDP

Input Connection: (5) terminal barrier strip

Controls: Passive / Biamp switch
 3 position HF level switch

Enclosure: 13-ply 18 mm Baltic birch, Tuf-Coat™ finish (see options)

Enclosure Hardware: None

Mounting / Rigging Provisions:

(6) 3/8-16 rigging points, W.L.L. 150 lb. vertical pull each

Grille:

16 gauge perforated steel, black powder coated (see options)

Required Accessories: None

Supplied Accessories: None

Optional Accessories: EYBLKIT: (4) 3/8-16 forged eyebolts

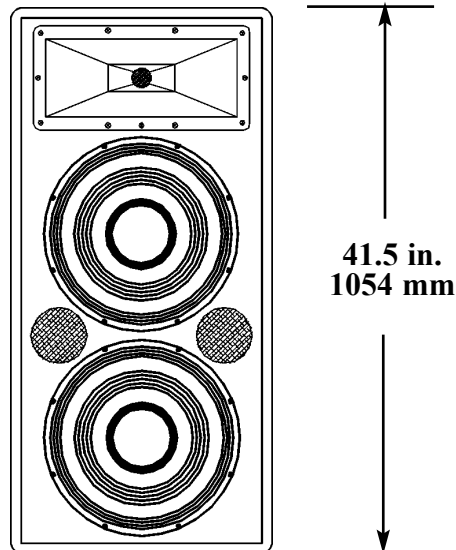
Dimensions:

 Height: 41.5 in. / 1054 mm
 Width (front): 19.75 in. / 502 mm
 Width (rear): 13 in. / 331 mm
 Depth: 17.9 in. / 455 mm

Weight: 98 lb. / 44.5 kg

Shipping Weight: 110 lb. / 49.9 kg

1. Sensitivity: Free field pink noise measurement at 20 ft / 6.1 m at 25% power; extrapolated to 1 meter and an input of 2 volts RMS.

2. Watts: All wattage figures are calculated using the rated nominal impedance.


APPLICATIONS:

- Theatres / Auditoria / Houses of Worship
- Sport Facilities & Health Clubs
- Clubs
- A/V Systems

FEATURES:

- Black, White Tuf-Coat™ finish, or Unfinished Exterior
- 1" Titanium HF with 3 Position Level Switch
- 90° H x 40° V Pattern
- Passive and Biamp Operating Modes
- PowerSense™ DDP (Dynamic Driver Protection)
- Small Profile Trapezoidal Enclosure For Tight Spaces
- Load-rated 3/8" Rigging Points
- No Handles for Clean Appearance
- Barrier Strip Input on Steel Input Panel

DESCRIPTION

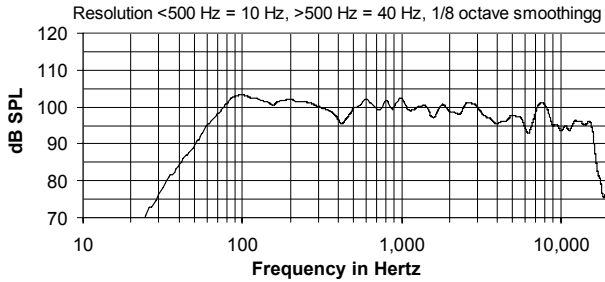
The CPL47 is a versatile, two-way full-range bass reflex loudspeaker system engineered for installation in theaters, houses of worship and corporate applications. CPL systems may be ordered to match your specific applications. CPL systems may be ordered with a variety of finishes - black Tuf-Coat™ finish with a black perforated steel grille, white Tuf-Coat™ finish with removable white grille cloth covering the grille, and unfinished wood surface with removable brown grille cloth covering the metal grille. Five year limited warranty.

OPTIONS:

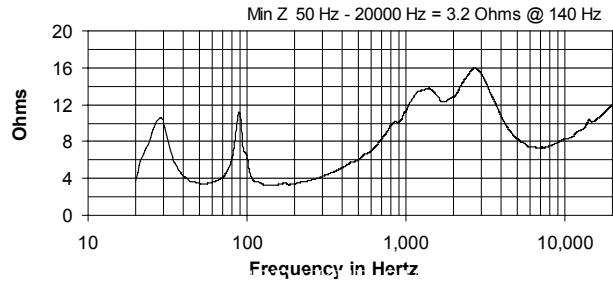
 CPL47-94B = black Tuf-Coat™ finish,
 CPL47-94W = white Tuf-Coat™ finish
 CPL47-94U = unfinished

 Grille: white has white cloth covering, unfinished
 has brown cloth covering

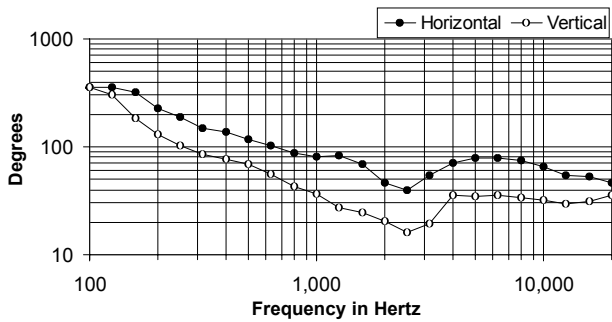
FREQUENCY RESPONSE



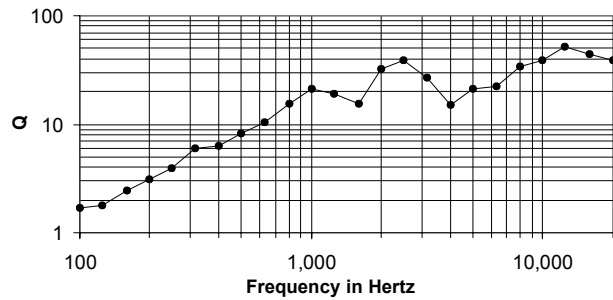
IMPEDANCE



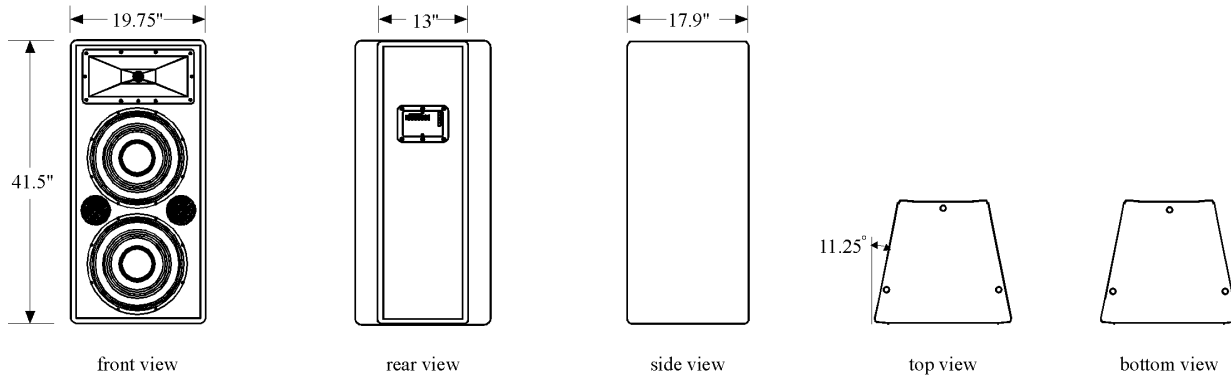
BEAMWIDTH



AXIAL Q



DIMENSIONS



ARCHITECTS' AND ENGINEERS' SPECIFICATIONS

The loudspeaker system shall be a two-way, full-range bass reflex trapezoidal design with two 15 in. Ferrofluid-cooled woofers and one 1 in. exit HF driver with a titanium diaphragm mounted to a 90° HF fiberglass horn. Drivers shall be connected to an integral crossover with a crossover frequency of 2 kHz and integral over-current protection circuitry using high positive current coefficient resistors. There shall be one five-terminal barrier strip input connector with built-in jumpers for bi-amplified connection. The loudspeaker enclosure shall be 13-ply Baltic birch plywood with a 16 gauge perforated steel grille Tuf-Coat™ finish. The system shall have an amplitude response of 50 Hz to 18 kHz (+/- 5 dB), input capability of 40V RMS, 98 dB sensitivity at one meter and 2V / 4 ohms nominal impedance. The nominal dispersion shall be 80°H x 35° V from 2 kHz to 10 kHz. The loudspeaker shall be 41.5 in. (1054 mm) H x 19.75 in. (502 mm) W (front) x 13 in. (331 mm) W (rear) x 17.9 in. (455 mm) D and weigh 98 lbs (44.5 kg).