

SPECIFICATIONS (See notes 1 - 3)

Horn Type: Exponential, Mid frequency horn
Operating Range: 400 Hz - 8 kHz
Usable LF Limit: 400 Hz
Flare Rate: 350 Hz
Throat Diameter: 2 in. / 51 mm
Axial Sensitivity 1W/1m (with M200 driver):
 110 dB SPL (400 Hz - 4 kHz 1/3 octave band)
Maximum Output (with M200 driver):
 129 dB SPL / 136 dB SPL peak
Nominal -6 dB Beamwidth:
 Horizontal: 80° (+13° / -16°, 500 Hz - 4 kHz)
 Vertical: 50° (2.5 kHz)
Axial Q: 13 (500 Hz - 4 kHz)
Axial DI: 11.1 (500 Hz - 4 kHz)
Recommended Signal Processing (for M200 driver):
 400 Hz and 4 kHz crossover points in a system
 350 Hz high pass filter for stand-alone operation

Construction:
 Hand-laminated, reinforced composite, black fiberglass
 Double wall construction using embedded balsa wood

Required Accessories:
 Bandpass filtering
 Equalization

Optional Accessories:
 DSC42: Digital crossover / processor
 2BKT: Rear yoke-type mounting bracket

Bolt Patterns:
 (8) 5/16 in. / 8 mm holes on 7 in. / 178 mm bolt circle
 (4) 5/16 in. / 8 mm holes on 4 in. / 102 mm bolt circle

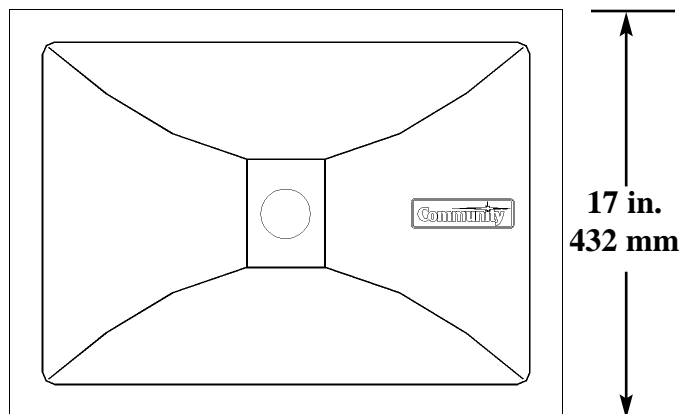
Dimensions (without driver):
 Height: 17 in. / 432 mm
 Width: 23 in. / 584 mm
 Depth: 12.9 in. / 328 mm

Weight: 8 lb. / 3.6 kg
Shipping Weight: 11 lb. / 5.0 kg

1. Sensitivity: Free field pink noise measurement at 40 ft / 12.2 m at 10% power; extrapolated to 1 meter and an input of 2.83 volts RMS. 0 dB SPL = 20 uPa.

2. Watts: All wattage figures are calculated using the rated nominal impedance.

3. EQ: Specifications are without equalization, normally required for optimum performance.



APPLICATIONS:

- Voice Announcement Systems
- High Power Paging Systems
- Large Public Gatherings
- Houses of Worship
- Arenas

FEATURES:

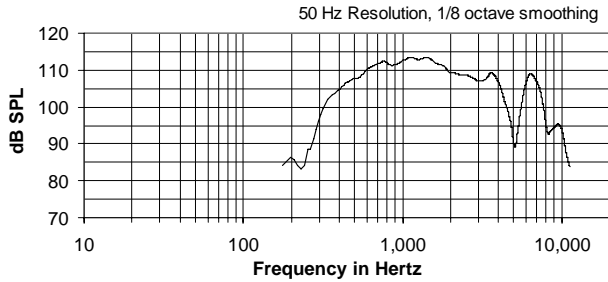
- Strong, Lightweight, Weather Resistant, Non-Resonant Fiberglass Construction
- High Q and High Directivity Provides Increased Intelligibility Over Distance

DESCRIPTION

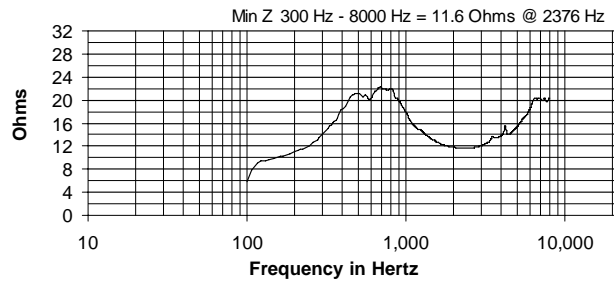
The SH494 horn is designed by Community to function as a stand-alone voice/paging announcement horn or as a mid frequency horn in a multi-way component system. Mated with a high quality 2" compression driver it will provide focused, extremely high output sound projection, with predictable performance and exceptional long term durability for voice only or professional sound reinforcement systems. Performance data for Community horns is well documented, providing the designer and consultant with highly predictable and consistent coverage patterns for system design.

Each horn is a handcrafted, one-piece, precision waveguide, precision molded in hand-laminated, fiber-reinforced fiberglass. Balsa wood is embedded in the sidewalls for non-diaphragmatic, resonant-free operation. With substantial fiberglass layering and integral throat and driver flange construction, Community horns are built to withstand the torque loads of the heaviest compression drivers. Their inherent strength and rigidity enhances sonic efficiency by preventing sound energy losses through the horn walls or from vibration. Community fiberglass horns are inherently weather-proof under all conditions of use. There is a five year warranty.

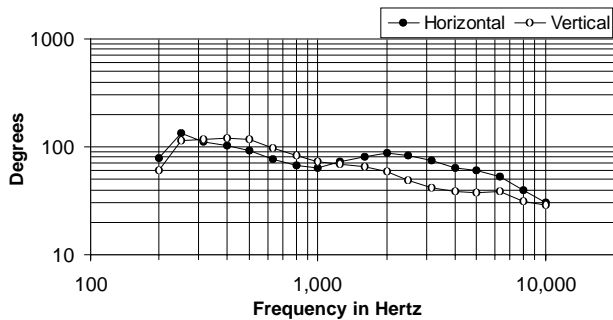
FREQUENCY RESPONSE



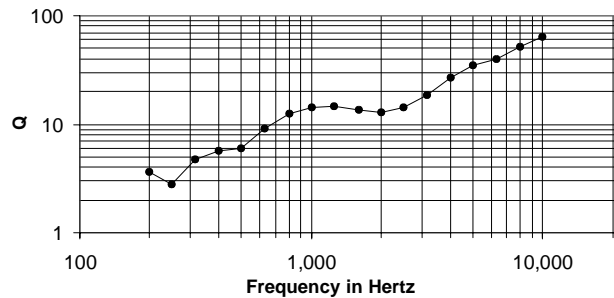
IMPEDANCE



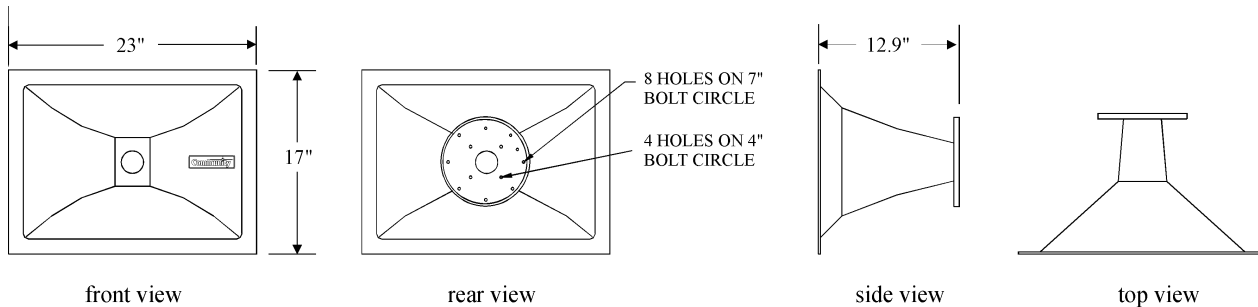
BEAMWIDTH



AXIAL Q



DIMENSIONS



ARCHITECTS' AND ENGINEERS' SPECIFICATIONS

The horn shall be a 2 inch throat entrance, exponential, high frequency device. It shall be made as one piece using hand-laminated fiberglass, with double wall constructions formed by resin-encapsulated, sandwich core wood. It shall include an integral rear flange for mounting a 2 inch exit compression driver and a flat, front flange to facilitate mounting. The usable operating range shall be from 400 Hz to 8 kHz with nominal -6 dB beamwidths of 80° horizontal, deviating no more than +13° / -16° between 500 Hz and 4 kHz, and 50° vertical at 2.5 kHz. The horn shall be 17 in. (432 mm) H x 23 in. (584 mm) W x 12.9 in. (328 mm) D, and weigh 8 lb. (3.6 kg).